



IST11-05SS TommyBoy5™ 5cc Syringe Shield

DATA SHEET

Intended Use

- The TommyBoy5™ is intended for use by trained Nuclear Medicine Professionals as an aid in reducing exposure during preparation and administration of radiopharmaceuticals

Features

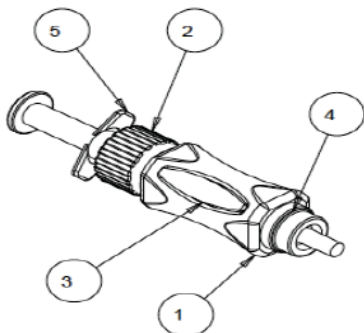
- Nontoxic, high-density yet lightweight, composite radiation shielding material
- Ergonomic contoured grip
- Leaded acrylic viewing window
- Secure Quick-Turn syringe locking mechanism

General Description

The IST11-05SS is a 5cc Nuclear Medicine Syringe Shielding device. It is designed to be used in Nuclear Medicine and Nuclear Cardiology departments as well as Nuclear Pharmacies to reduce occupational exposure to low-energy radioisotopes.

Diagram - NOTE: SYRINGE NOT INCLUDED - FOR EXAMPLE ONLY

TOMMYBOY5™ 5cc Syringe Shields



5	1	3372-005	SYRINGE
4	1	3372-004	SHIELD_2
3	1	3372-003	LENS_SHIELD3
2	1	3372-002	SHIELD_2_COLLAR
1	1	3372-001	SHIELD_2_COVER
ITEM	QTY	PART NO.	DESCRIPTION

