



# Isotope Shielding Technologies

PO Box 701360  
 Dallas, TX 75370-1360  
 Phone: 800-277-3148 Fax: 800-277-3148

## IST11-03SS TommyBoy3™ 3cc Syringe Shield

## DATA SHEET

### Intended Use

- The TommyBoy3™ is intended for use by trained Nuclear Medicine Professionals as an aid in reducing exposure during preparation and administration of radiopharmaceuticals

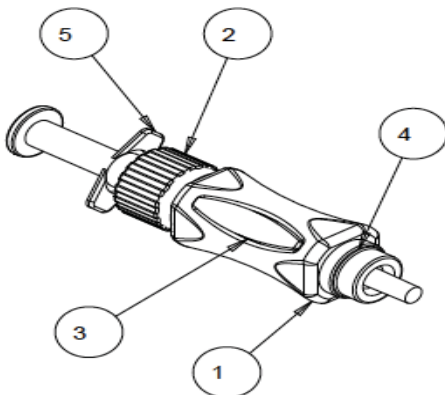
### Features

- Nontoxic, high-density yet lightweight, composite radiation shielding material
- Ergonomic contoured grip
- Leaded acrylic viewing window
- Secure Quick-Turn syringe locking mechanism

### General Description

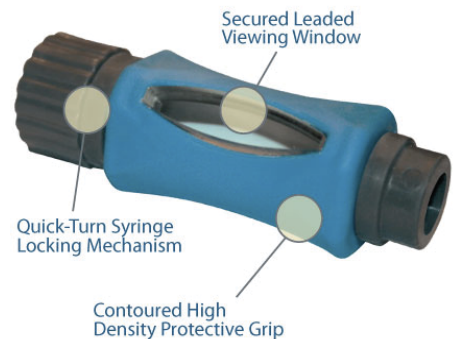
The IST11-03SS is a 3cc Nuclear Medicine Syringe Shielding device. It is designed to be used in Nuclear Medicine and Nuclear Cardiology departments as well as Nuclear Pharmacies to reduce occupational exposure to low-energy radioisotopes.

### Diagram - NOTE: SYRINGE NOT INCLUDED - FOR EXAMPLE ONLY



### TOMMYBOY3™

3cc Syringe Shields



5	1	3372-005	SYRINGE
4	1	3372-004	SHIELD_2
3	1	3372-003	LENS_SHIELD3
2	1	3372-002	SHIELD_2_COLLAR
1	1	3372-001	SHIELD_2_COVER
ITEM	QTY	PART NO.	DESCRIPTION